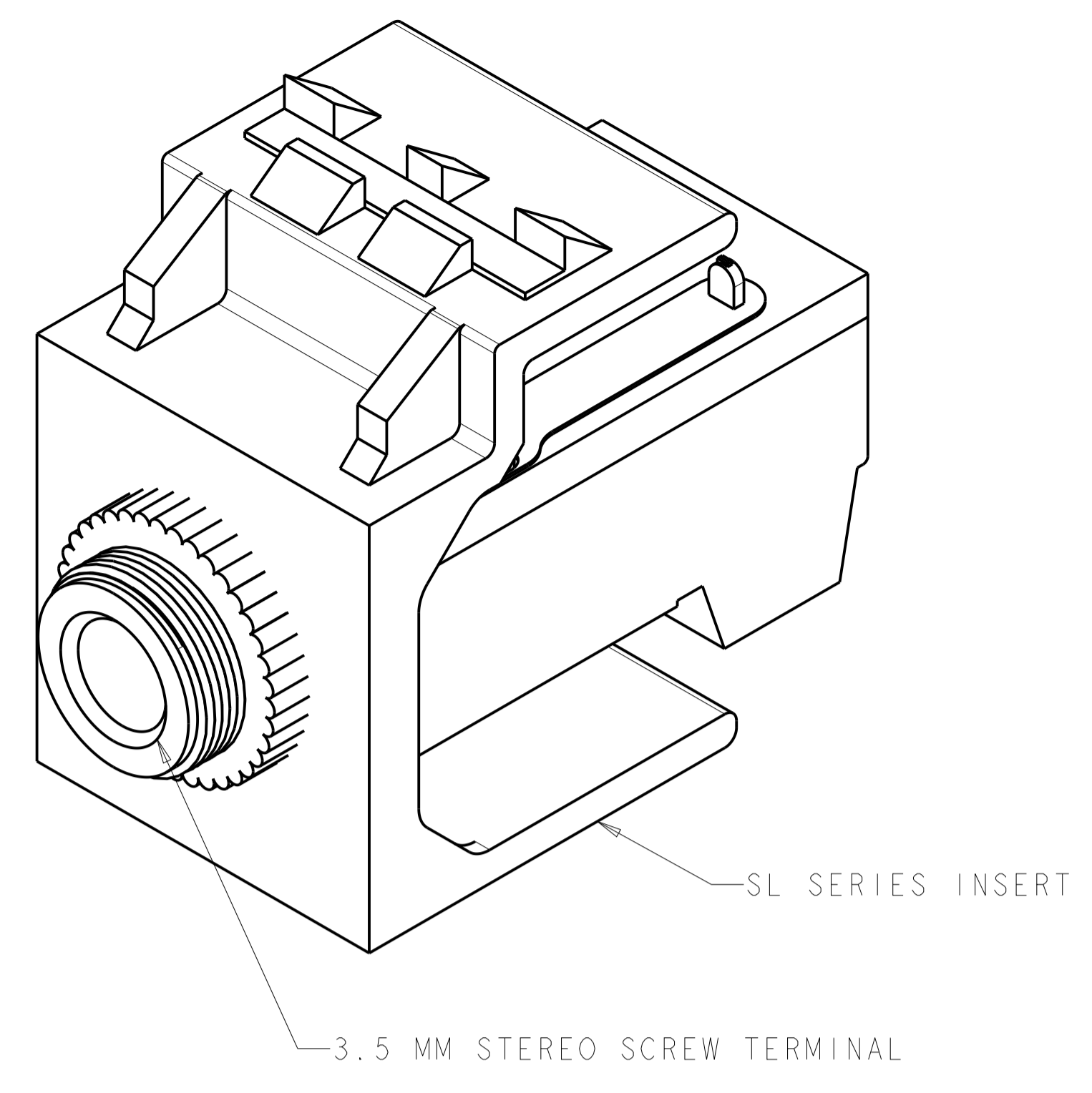


REVISIONS				
P.	LTN	DESCRIPTION	DATE	APP'D
A	RLSD;	NSD 07-104	30OCT2007	GG GB
B	REV;	ECO-10-010362	17MAY2010	GG RA
C	REV;	ECO-13-007085	28APR2013	GG RA
D	REV PER	BNS_CD_BRAND	01FEB2017	GG DC



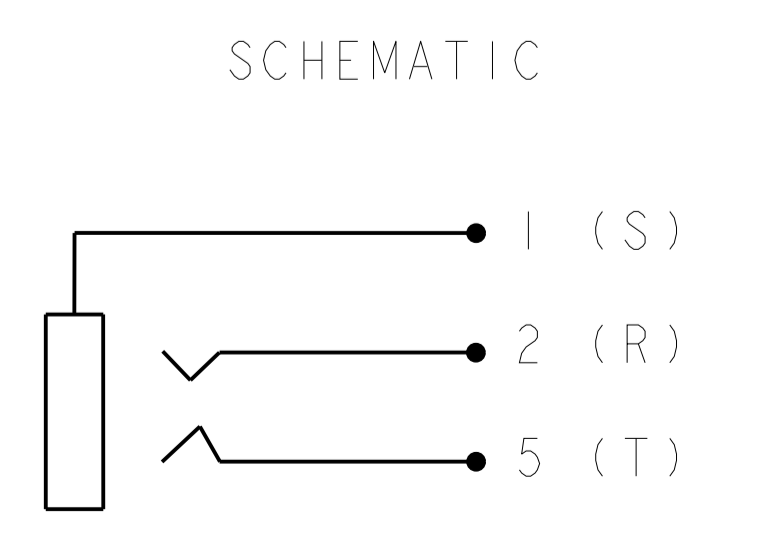
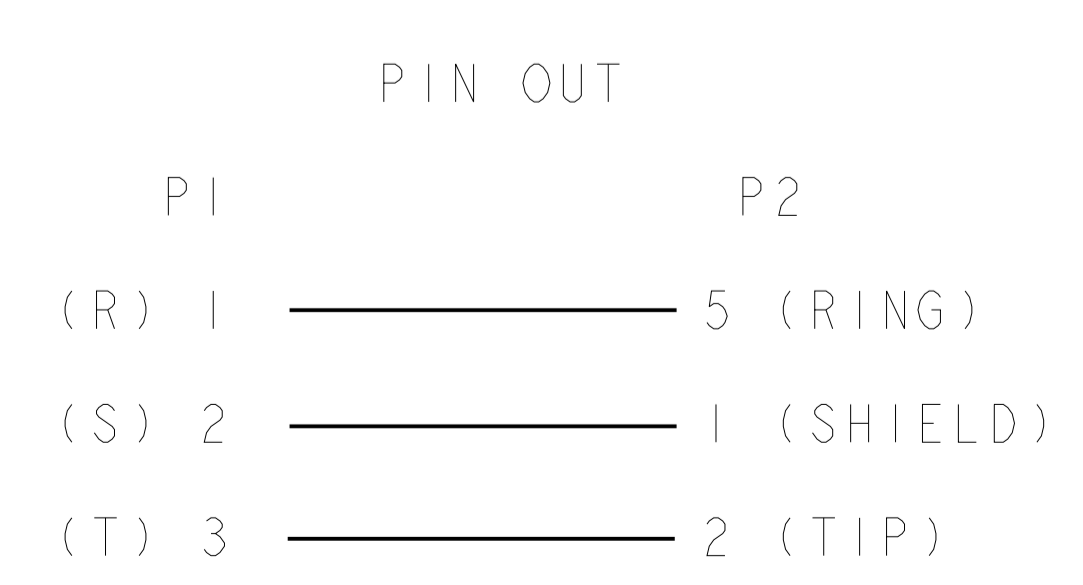
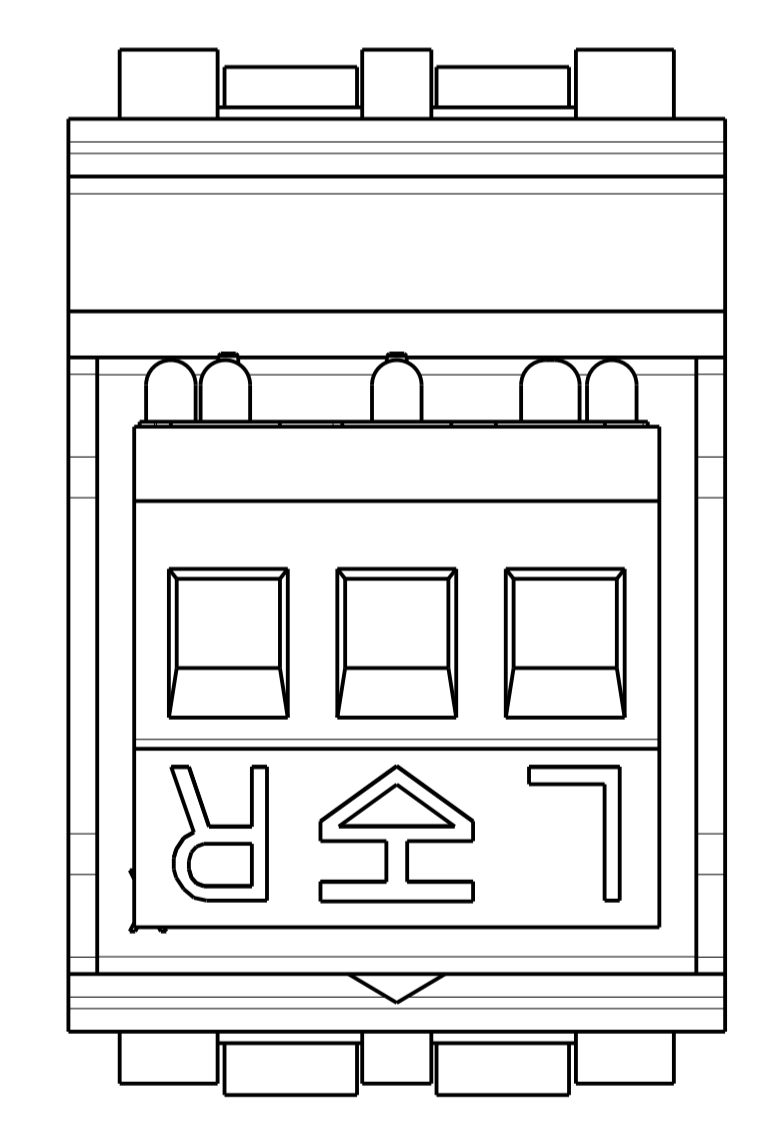
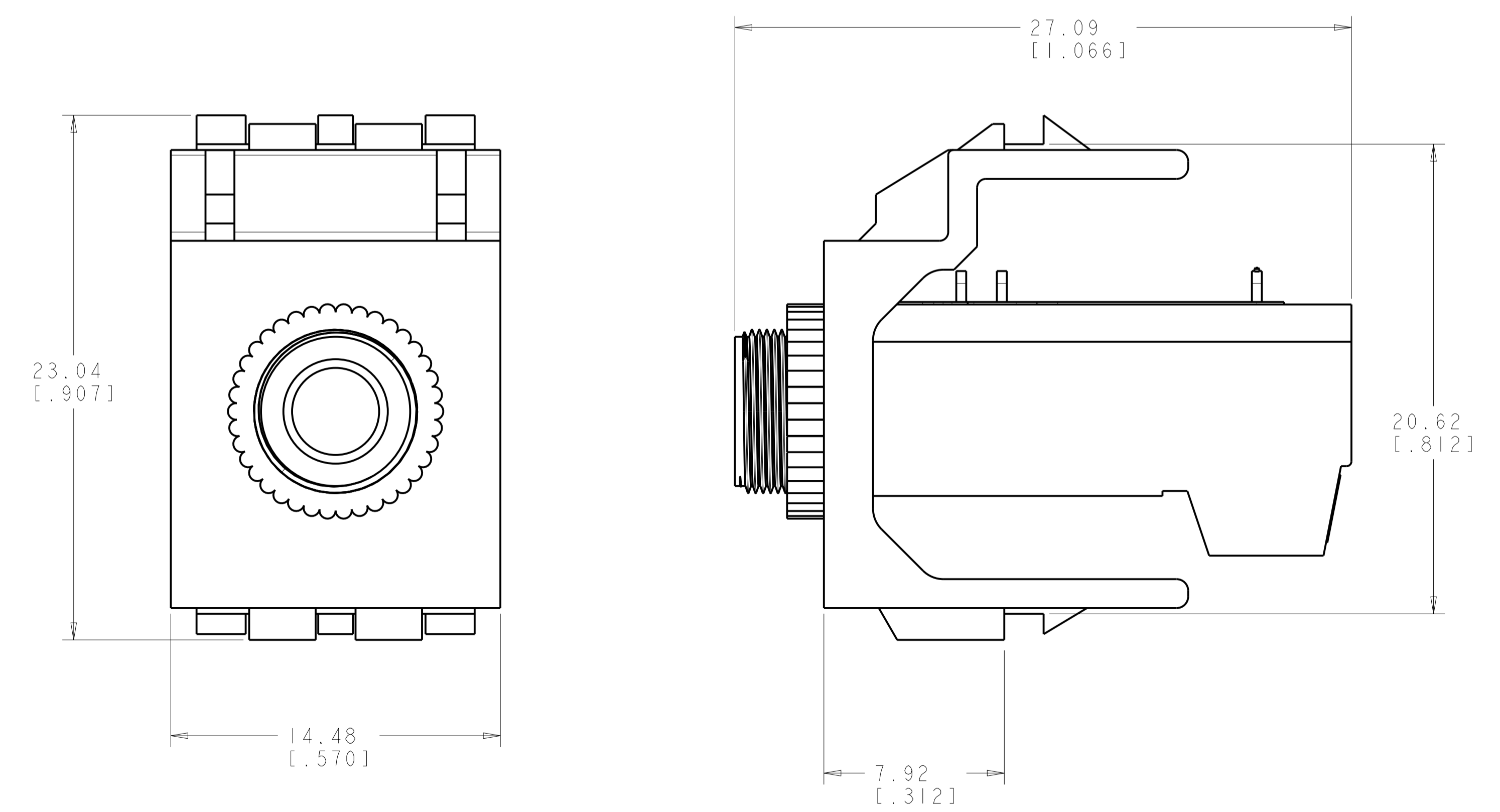
△ MATERIAL:

INSERT:  
 POLYCARBONATE MOLDING COMPOUND.

3.5 MM STEREO JACK:  
 TIP AND RING CONTACTS - SILVER PLATED PHOSPHOR BRONZE.  
 SLEEVE CONTACT - NICKEL PLATED BRASS.  
 HOUSING - POLYOXYMETHYLENE.  
 COVER - POLYCARBONATE.

SCREW TERMINAL BLOCK:  
 BODY - THERMOPLASTIC (UL94V-0)  
 SCREW - STEEL YELLOW CHROMATED ZINC.  
 WIRE GUARD - STAINLESS STEEL.

2. ALL DIMENSIONS NOMINAL UNLESS OTHERWISE SPECIFIED.



ALPINE WHITE	1-1933582-3
LIGHT ALMOND	1933582-1
COLOR	PART NUMBER

THIS DRAWING IS A CONTROLLED DOCUMENT.		DWN: G. GARRETT 30OCT2007	COMMSCOPE, INC.	
DIMENSIONS: MM [INCHES]		CHK: G. BOWMAN 30OCT2007	NAME: INSERT ASSEMBLY, 3.5 mm STEREO JACK, SCREW TERMINAL, SL SERIES	
TOLERANCES UNLESS OTHERWISE SPECIFIED:		APP'D: G. BOWMAN 30OCT2007	SIZE: A1	
0 PLC ±	1 PLC ±	PRODUCT SPEC	RESTRICTED TO	
2 PLC ±	3 PLC ±	APPLICATION SPEC	SCALE: 6:1	
4 PLC ±	ANGLES ±	WEIGHT	SHEET 1 OF 1	
MATERIAL: △	FINISH:	Customer Drawing	REV D	

# Mouser Electronics

Authorized Distributor

Click to View Pricing, Inventory, Delivery & Lifecycle Information:

[TE Connectivity Divested:](#)

[1-1933582-3](#)