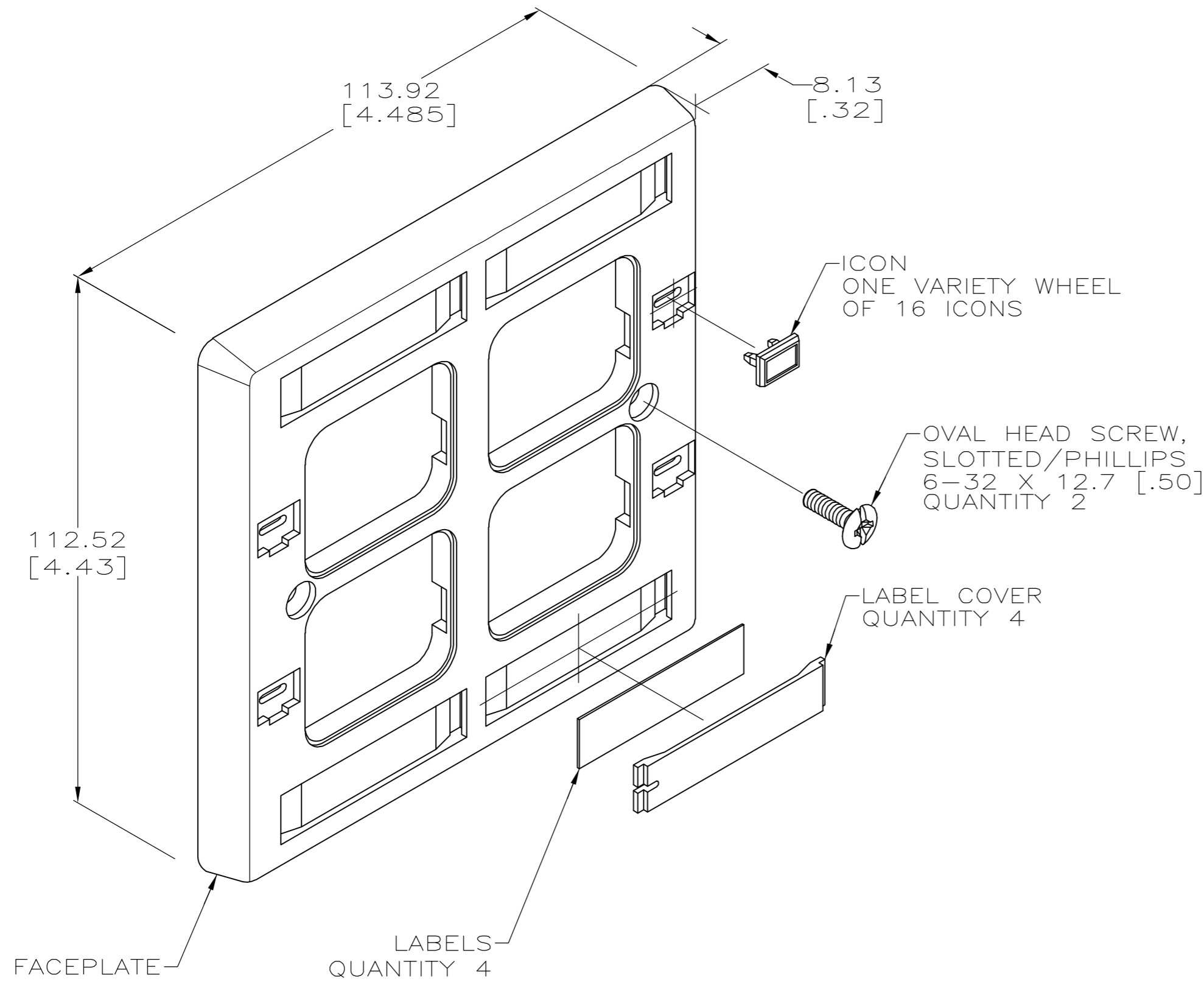


THIS DRAWING IS UNPUBLISHED. RELEASED FOR PUBLICATION
 © COPYRIGHT BY TYCO ELECTRONICS CORPORATION. ALL RIGHTS RESERVED.

LOC	DIST	REVISIONS					
		P	LTR	DESCRIPTION	DATE	DWN	APVD
HM	00	B		ECO-06-009627	25APR2006	JM	CC

- 1. DIMENSIONS ARE NOMINAL UNLESS OTHERWISE SPECIFIED.
- 2. MATERIAL: FACEPLATE—ABS MOLDING COMPOUND. SEE TABLE FOR COLOR.
 ICON—ABS MOLDING COMPOUND.
 SCREWS—ZINC PLATED CARBON STEEL.
 LABEL COVER—POLYCARBONATE MOLDING COMPOUND, CLEAR.
 LABEL—WHITE INDEX PAPER.
- 3. KIT SHIPPED NOT ASSEMBLED.
- 4. STEEL CITY 4" SQUARE DEVICE COVER FOR TWO DEVICES — CATALOG SERIES 52-C (OR AMP APPROVED EQUIVALENT) IS RECOMMENDED FOR PROPER INSTALLATION.



WHITE	1933010-5
LIGHT ALMOND	1933010-1
COLOR	PART NO.

THIS DRAWING IS A CONTROLLED DOCUMENT.		DWN	L. HALL	15FEB2006	Tyco Electronics Corporation Harrisburg, PA 17105-3608
DIMENSIONS: MM [INCHES]		CHK	C. CASH	16FEB2006	
TOLERANCES UNLESS OTHERWISE SPECIFIED:		APVD	C. CASH	16FEB2006	
0 PLC ± - 1 1 PLC ± - 1 2 PLC ± - 1 3 PLC ± - 1 4 PLC ± - 1 ANGLES ± - FINISH - 2		NAME		FACEPLATE KIT, DOUBLE GANG LOW PROFILE, AMP COMMUNICATION OUTLET	
MATERIAL - 2		WEIGHT -		SIZE A2	CAGE CODE 00779
		CUSTOMER DRAWING		DRAWING NO. C=1933010	RESTRICTED TO -
		SCALE NTS		SHEET 1 of 1	REV B

1933010

Mouser Electronics

Authorized Distributor

Click to View Pricing, Inventory, Delivery & Lifecycle Information:

[TE Connectivity Divested:](#)

[1933010-5](#)