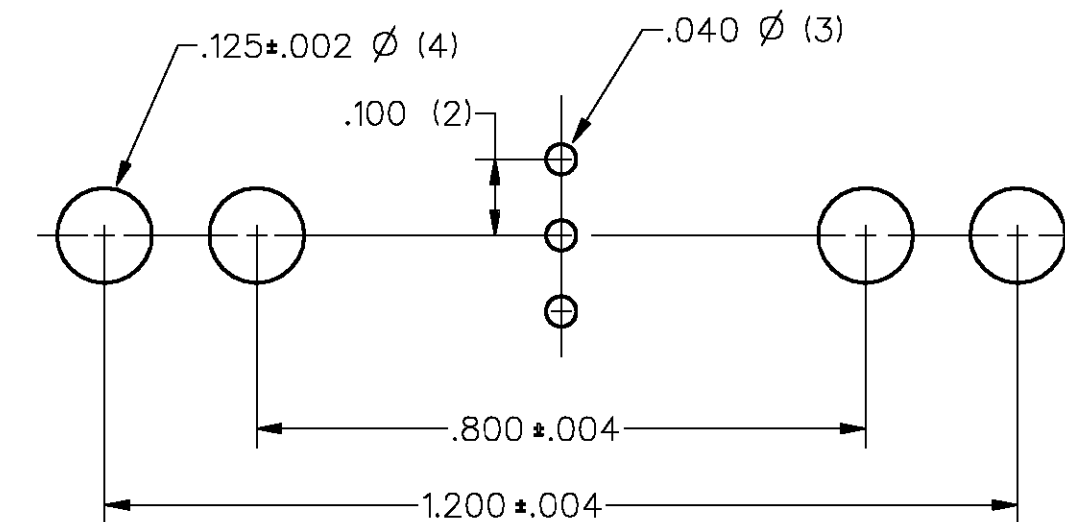


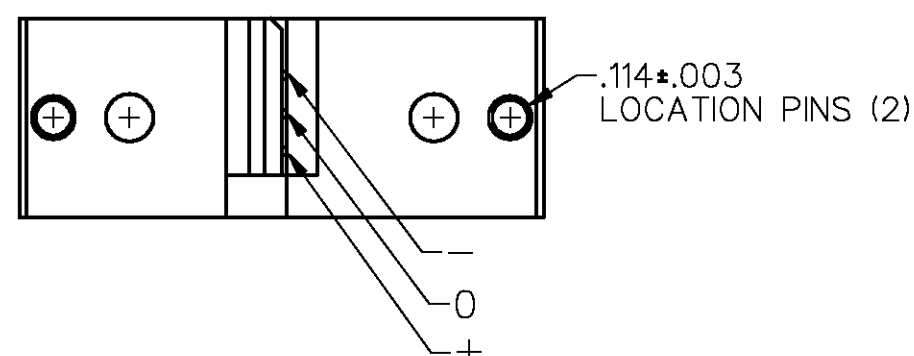
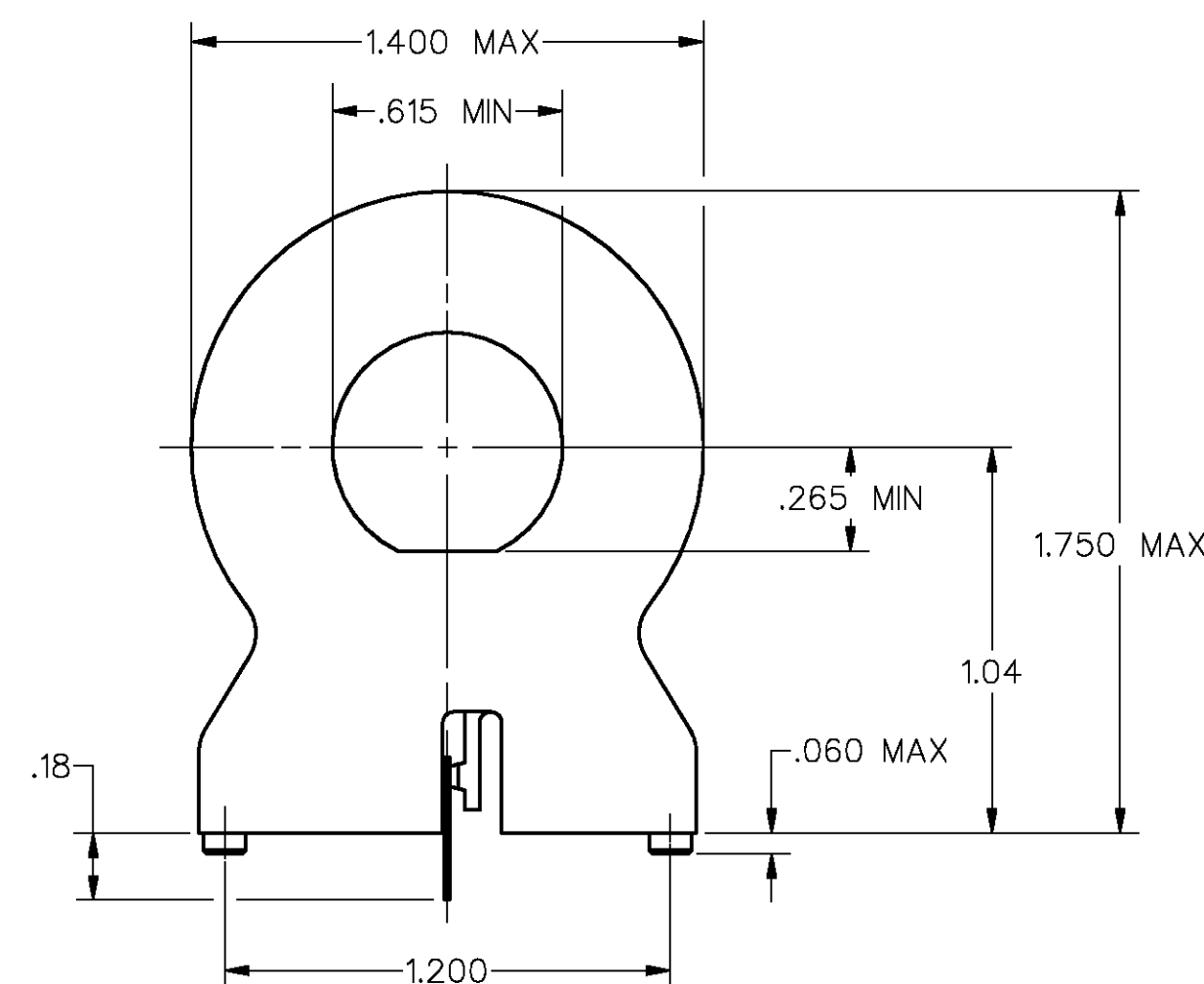
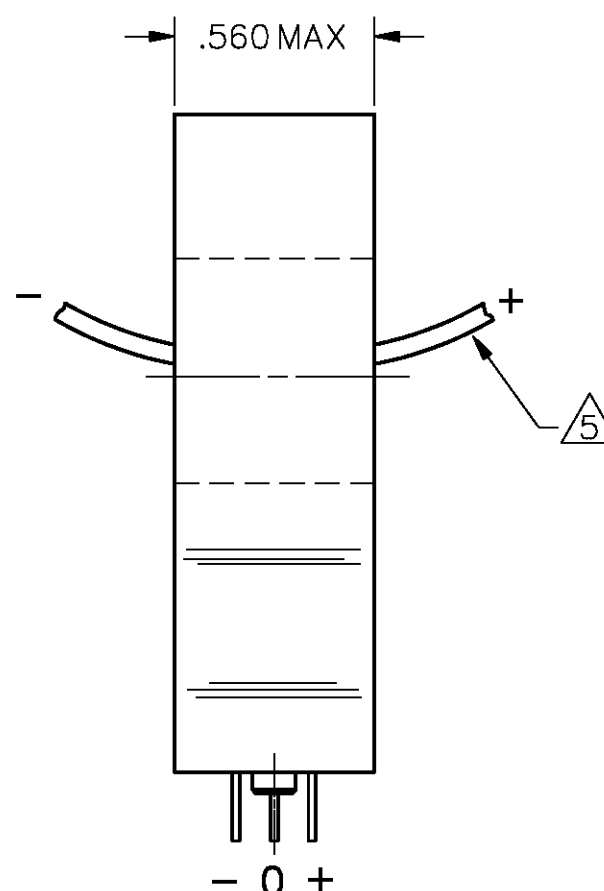
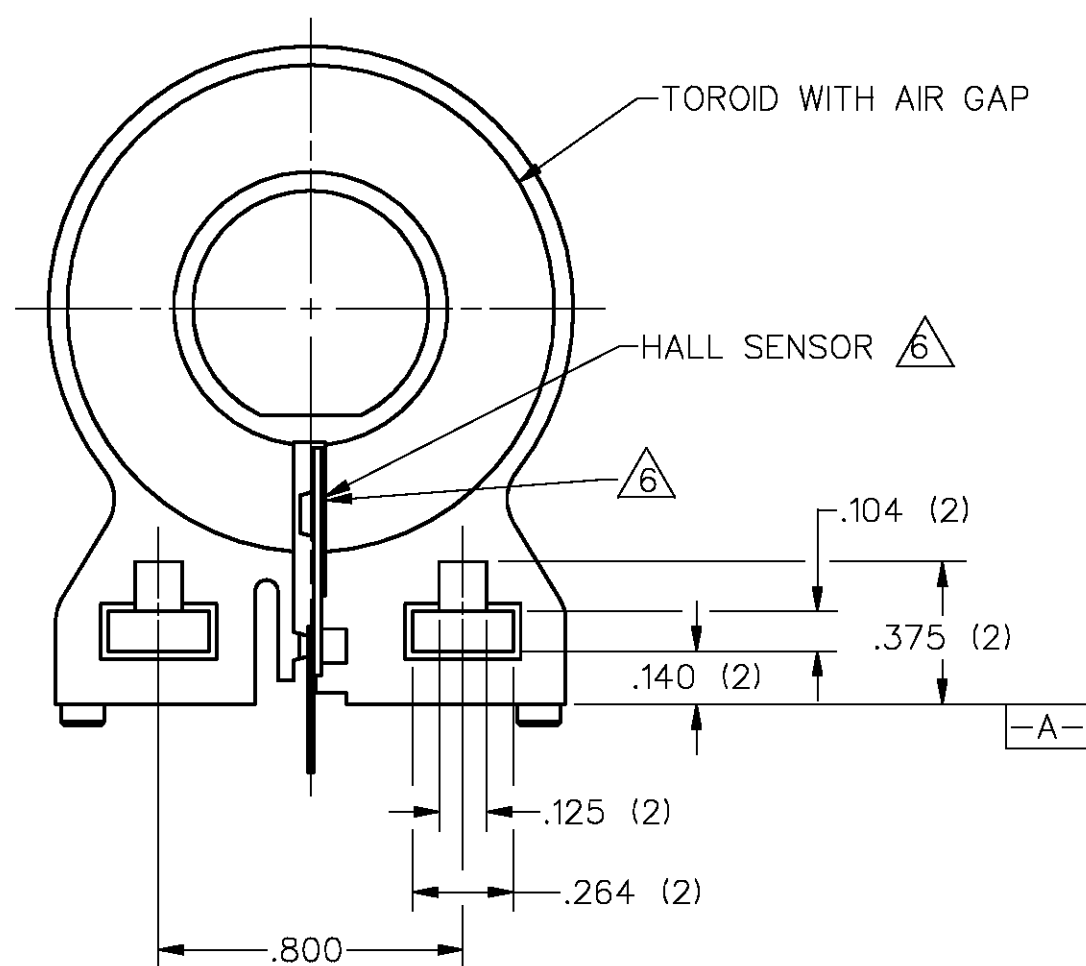
CHARACTERISTICS

| PARAMETER | MIN | TYP | MAX | UNITS | CONDITIONS/REMARKS |
|-------------------------------------|------------------------|-----|------------------------|-----------|--|
| SUPPLY VOLTAGE | 5.4 | 8.0 | 13.2 | VOLTS | -25°C TO 85°C |
| SUPPLY CURRENT | | 13 | 20 | mA | MAX @ -25°C, TYP @ 25°C, V _s =8.0V, EXCLUDES LOAD |
| OUTPUT CURRENT | 1 | | | mA | SINKING OR SOURCING |
| OUTPUT VOLTAGE SWING (-V)+1.25 | | | (+V)-1.25 | VOLTS | MAX CLAMPED @ 9.0 VOLTS MIN |
| SENSITIVITY | 23.4 | | 27.7 | mV/NI | @ V _s =8.0V & 25°C Δ 5 |
| LINEARITY | | .5 | 1.0 | % OF SPAN | DEV FROM STR LINE FROM -I MAX TO +I MAX Δ 1 |
| V _{out} @ \emptyset NULL | .5(V _s)-2% | | .5(V _s)+2% | VOLTS | 25°C |
| TEMP ERROR-NUL | -.02 | | +.02 | %/°C | -25°C TO 85°C |
| TEMP ERROR-GAIN | -.06 | | +.01 | 5%/°C | -25°C TO 85°C |

M CSLA2DE



SUGGESTED HOLE CENTERS
SCALE 4:1



NOTES

- 1 SUGGESTED I MAX FOR LINEAR OPERATION IS 92 AMPS
- 2 - RECOMMENDED MOUNTING IS 4-40 SQUARE NUT AND .375 LONG 4-40 SCREW
- 3 - CONVENTIONAL CURRENT FLOW IN DIRECTION INDICATED WILL CAUSE AN INCREASE IN OUTPUT VOLTAGE
- 4 - THE DEVICE CANNOT BE DAMAGED BY MAGNETIC OVERDRIVE
- 5 AT V_s OTHER THAN 8.0 VOLTS, SENSITIVITY = (NUMBER SHOWN) X V_s/8
- 6 BACKSIDE OF HALL SENSOR IS ELECTRICALLY CONNECTED TO THE "-" TERMINAL

DRAWING NUMBER: CSLA2DE
 ISSUE: 4
 PAGE 1 OF 1
 RELEASE NO. DR-3141-8 REPLACES X83399-CS
 REVISIONS:
 A CO 65790
 B CO 79248B
 C CO 95704
 FORMTEK DRAWN
 JAS 18JUL89
 CHECK K A G 19JUL89



THIS DRAWING COVERS A PROPRIETARY ITEM AND IS THE PROPERTY OF MICRO SWITCH, A DIVISION OF HONEYWELL. THIS DRAWING IS NOT TO BE COPIED OR USED WITHOUT THE APPROVAL OF MICRO SWITCH.

MICRO SWITCH
a Honeywell Division

CURRENT SENSOR

CATALOG LISTING
CSLA2DE

| | |
|---|--------------|
| THIRD ANGLE PROJECTION | |
| SCALE | 2:1 |
| DO NOT SCALE PRINT | |
| UNLESS OTHERWISE SPECIFIED TOLERANCES ARE | |
| ONE PLACE | (.0) ±.030 |
| TWO PLACES | (.00) ±.015 |
| THREE PLACES | (.000) ±.005 |
| ANGLES | ± |
| WEIGHT | |

MASTER REDUCED

FED. MFG. CODE 91929

Mouser Electronics

Authorized Distributor

Click to View Pricing, Inventory, Delivery & Lifecycle Information:

[Honeywell:](#)

[1AV13F](#)