

## General Specifications

### Motor Protection:

Auto Restart

### Insulation Resistance:

10M Ω or over with a DC500V Megger

### Dielectric Withstand Voltage: AC 700V 1s

### Allowable Ambient Temperature Range:

-10°C ~ +60°C (Operating)

-40°C ~ +70°C (Storage)

(non-condensing environment)

## Expected Life

40°C	70,000 Hours (L10)
60°C	40,000 Hours (L10)

## Material

Casing : Plastic (Black) UL94V-0

Impeller : Plastic (Black) UL94V-0

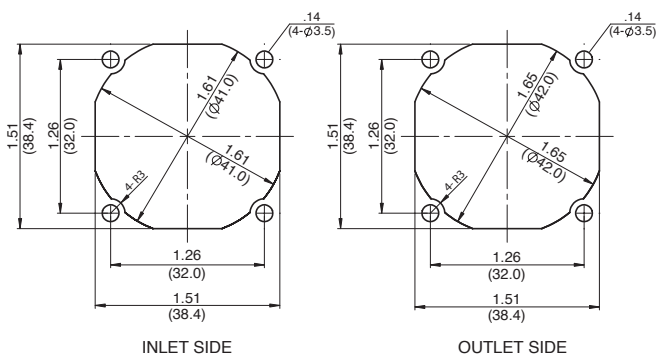
Bushing : Plastic (Black) UL94V-2

Bearing : Ball Bearing

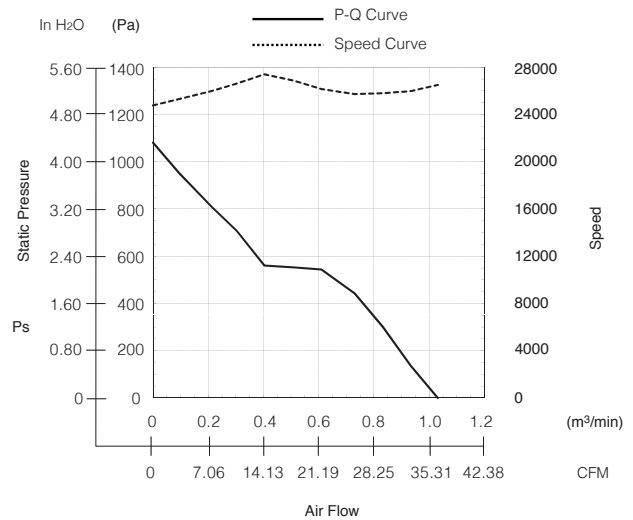
Lead Wire : UL10368, AWG26, +Red, -Black,  
(tach) White, (PWM) Brown

## Panel Cut-Outs

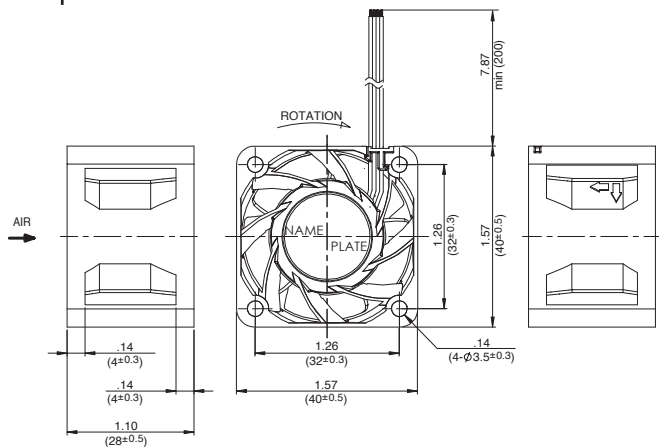
Units:  $\frac{\text{inch}}{\text{mm}}$



## Characteristic Curves



## Outline



## Specifications

MODEL	Rated Voltage	Operating Voltage	Current	Input Power	Speed	Max. Air Flow		Max. Static Pressure		Noise	Mass
	(V)	(V)	(A) <sup>*1</sup>	(W) <sup>*1</sup>	(min <sup>-1</sup> ) <sup>*1</sup>	CFM <sup>*1</sup>	(m <sup>3</sup> /min) <sup>*1</sup>	in H <sub>2</sub> O	(Pa) <sup>*1</sup>	(dB) <sup>*1</sup>	(g)
04028DA-12T-AKH-0	12	10.8 ~ 13.2	1.55	18.60	26500	36.02	1.02	4.26	1060	66.5	47

Rotation: Clockwise

Airflow Outlet: Air Out Over Struts

\*1: Average Values in Free Air

Note: PWM/Locked Rotor/Tach Available

# Mouser Electronics

Authorized Distributor

Click to View Pricing, Inventory, Delivery & Lifecycle Information:

[NMB Technologies:](#)

[04028DA-12T-AK-H0](#)