

**PLEASE CHECK WWW.MOLEX.COM FOR LATEST PART INFORMATION**

**Part Number:** [0548190589](#)  
**Status:** **Active**  
**Overview:** [USB Products and Solutions](#)  
**Description:** Universal Serial Bus (USB) Mini-B Receptacle, Right-Angle, Surface Mount Solder Tails and Shell Tabs, with Cover Tape, Lead-Free, LCP Housing

**Documents:**

[3D Model](#) [Product Specification PS-56579-015-001 \(PDF\)](#)  
[3D Model \(PDF\)](#) [RoHS Certificate of Compliance \(PDF\)](#)  
[Drawing \(PDF\)](#)

**Agency Certification**

UL E29179

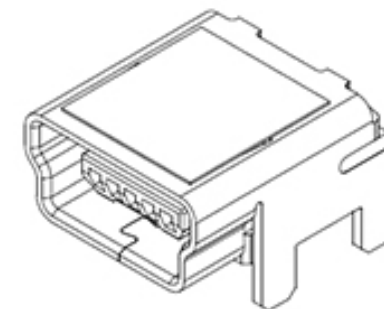
**General**

Product Family I/O Connectors  
 Series [54819](#)  
 Application Wire-to-Board  
 Component Type Receptacle  
 Overview [USB Products and Solutions](#)  
 Product Name USB  
 Type Mini-B  
 UPC 822348695027

**Physical**

Circuits (Loaded) 5  
 Circuits (maximum) 5  
 Color - Resin Black  
 Durability (mating cycles max) 5000  
 Flammability 94V-0  
 Gender Female  
 Keying to Mating Part Yes  
 Lock to Mating Part Yes  
 Material - Metal Copper Alloy  
 Material - Plating Mating Gold  
 Material - Plating Termination Tin  
 Material - Resin High Temperature Thermoplastic  
 Net Weight 0.728/g  
 Number of Rows 1  
 Orientation Right Angle  
 PCB Locator Yes  
 PCB Retention Yes  
 Packaging Type Embossed Tape on Reel  
 Panel Mount No  
 Pitch - Mating Interface 0.80mm  
 Pitch - Termination Interface 0.80mm  
 Plating min - Mating 0.750µm  
 Plating min - Termination 1.000µm  
 Polarized to Mating Part Yes  
 Polarized to PCB No  
 Ports 1  
 Surface Mount Compatible (SMC) Yes  
 Temperature Range - Operating -20° to +85°C  
 Termination Interface: Style Surface Mount  
 Waterproof / Dustproof No

**Electrical**



Series image - Reference only

**EU ELV**

**Not Relevant**

**EU RoHS**

**Compliant**

**REACH SVHC**

Not Contained Per -  
 D(2020)4578-DC (25  
 June 2020)

**Halogen-Free**

**Status**

**Not Low-Halogen**

For more information, please visit [Contact US](#)

China ROHS

ELV

RoHS Phthalates

**China RoHS**

Green Image

Not Relevant

Not Contained

**Search Parts in this Series**

[54819 Series](#)

Current - Maximum per Contact	1.0A
Grounding to Panel	Yes
Shield Type	Full Shield
Shielded	Yes
Voltage - Maximum	30V AC (RMS)/DC

**Solder Process Data**

Duration at Max. Process Temperature (seconds)	005
Lead-free Process Capability	REFLOW
Max. Cycles at Max. Process Temperature	001
Process Temperature max. C	245

**Material Info****Reference - Drawing Numbers**

Product Specification	PS-56579-015-001
Sales Drawing	SD-54819-030, SD-54819-031

This document was generated on 09/28/2020

**PLEASE CHECK [WWW.MOLEX.COM](http://WWW.MOLEX.COM) FOR LATEST PART INFORMATION**

# Mouser Electronics

Authorized Distributor

Click to View Pricing, Inventory, Delivery & Lifecycle Information:

[Molex:](#)

[54819-0589](#)